

DZR Brass Gate Valve

PN20

Size ½" to 4"

Specifications:

IVAL® DZR Brass Gate Valve with Body, screwed bonnet and wedge made of DZR Brass. Non-rising blow-out proof stem also made of brass resistant to dezincification (DZR).

Stem seal with PTFE gland packing.

UK END CONNECTION: BSPT Taper Threaded to BS EN 10226-1, compatible with ISO 7/1.

WRAS approved.

Features:

- Non-rising stem design to minimize installation height.
- Full bore design to ensure minimal pressure drop.
- Adjustable gland packing for ease of maintenance.
- Body, bonnet and disc are manufactured from dezincification-resistant brass (DZR), alloy CW602N, suitable for potable water applications.
- Conforms to BS 5154 and generally conforms MSS-SP-80.

Pressure/Temperature Ratings:

Temperature (°C)	-10 to +100	170
Pressure (Bar)	20	10

Intermediate pressure ratings shall be determined by interpolation.

Test Pressures:

Each valve is individually hydrostatically / air tested according to EN12266-1, at the following test:

(PNEUMATIC) Shell: 6 bar - **Seat:** 6 bar

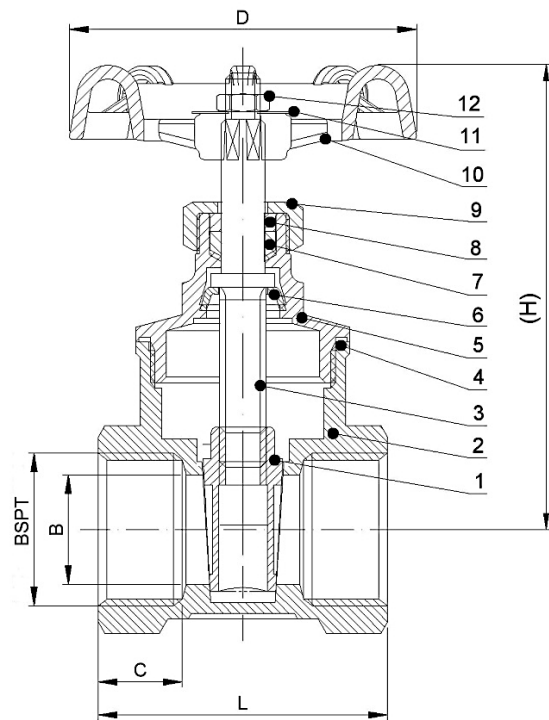
(HYDRAULIC) Shell: 30 bar - **Seat:** 22 bar

Materials:

No.	Description	Material	Specification
1	Valve Body	DZR Brass	EN12165 CW602N
2	Disc	DZR Brass	EN12164 CW602N
3	Stem	DZR Brass	EN12164 CW602N
4	Gasket	PTFE	-
5	Bonnet	DZR Brass	EN12165 CW602N
6	Lock Nut	Brass	EN12164 CW617N
7	Packing	PTFE	-
8	Gland	Brass	EN12164 CW617N
9	Packing Nut	Brass	EN12164 CW617N
10	Handwheel	Cast Iron	EN-GJL-200
11	Nameplate	L2	-
12	Hex Nut	Stainless Steel	AISI 304

This valve is not suitable for use on Gases Group 1 & 2 or unstable fluids Group 1, as defined by the Pressure Equipment Directive 2014/68/EU.

TECHNICAL DATASHEET



Dimensions:

Size	Thrd.	L	H	D	B	C	Wt.
DN15	½"	43	69.7	53	13	12.5	251
DN20	¾"	46	75	53	17	12.5	321
DN25	1"	52	84.5	60	21	14	437
DN32	1¼"	65	99	72	27	19	678
DN40	1½"	66	109.5	72	34	19	900
DN50	2"	82.5	130.5	80	45	24	1,368
DN65	2½"	88	163	100	56	23.5	2,531
DN80	3"	92	189	108	68	25	3,250
DN100	4"	110	229	127	90	30	5,745

All dimensions in mm and Weight (Wt.) is in grams unless otherwise stated.

